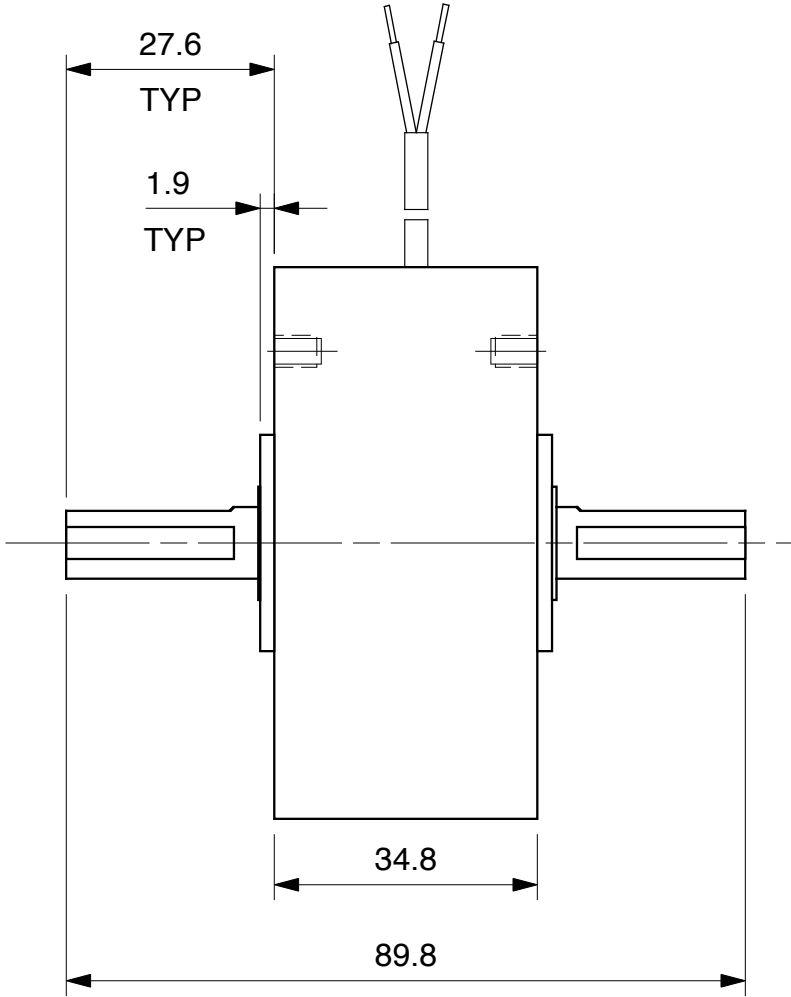
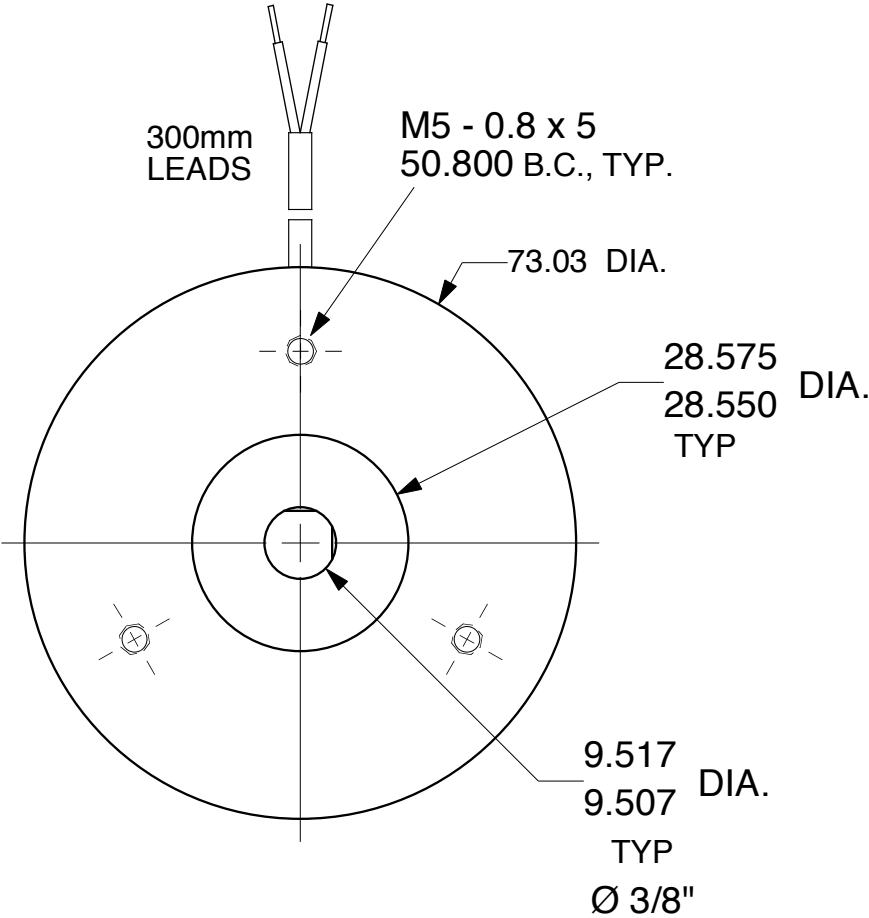


# MAGNETIC PARTICLE BRAKE B15 - 2M



Units : mm  
Scale : full

Drawn 9/27/01  
Changed 9/28/01

Lake Placid, NY USA  
Telephone 518 523-2422  
www.placidindustries.com

