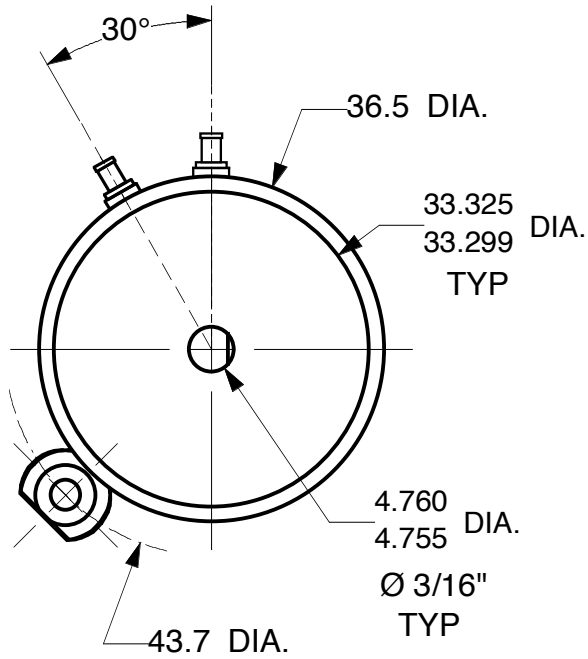
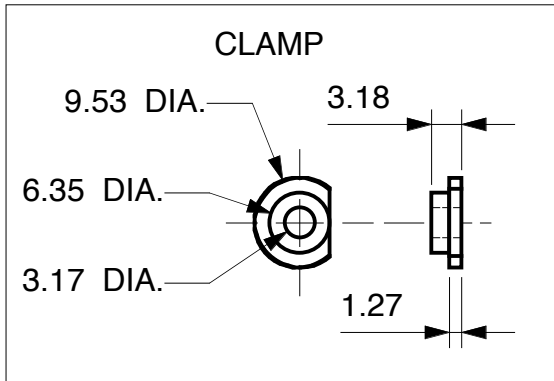
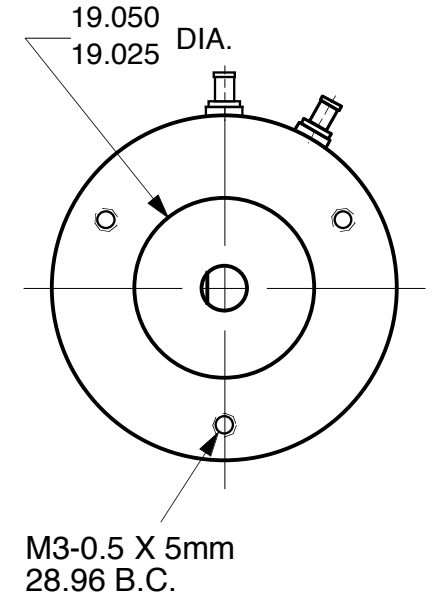
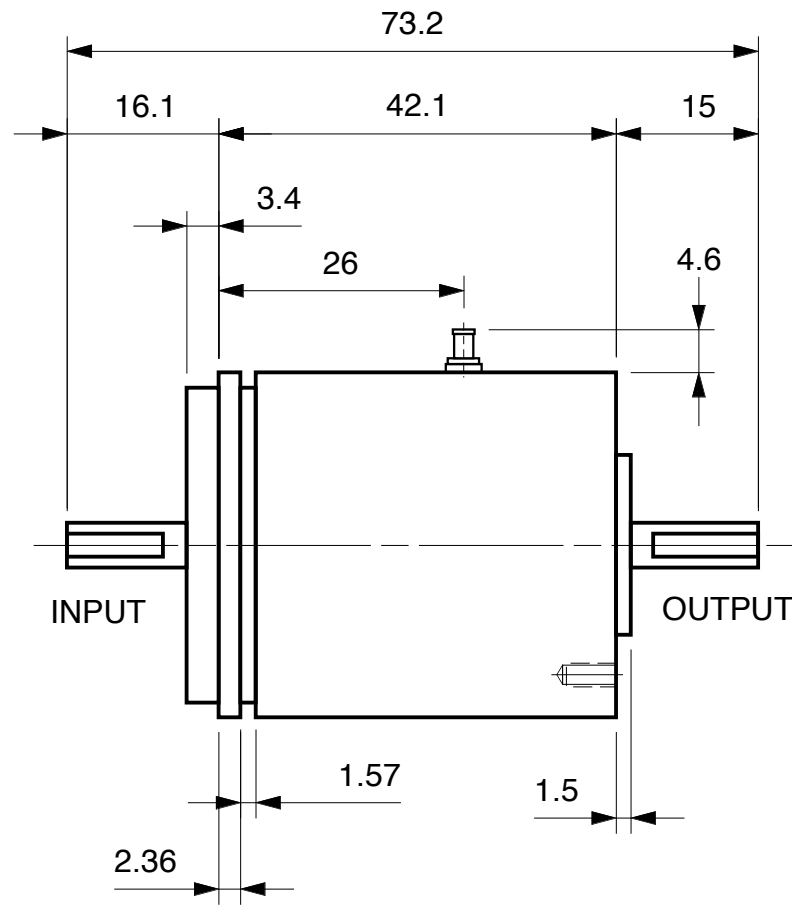


# MAGNETIC PARTICLE CLUTCH C2 - M



3 CLAMPS,  
USE M3-0.5 X 10mm SCREW



Units : mm  
Scale : 1.25 x

Drawn 9/27/01  
Changed 9/27/01

Lake Placid, NY USA  
Telephone 518 523-2422  
www.placidindustries.com

