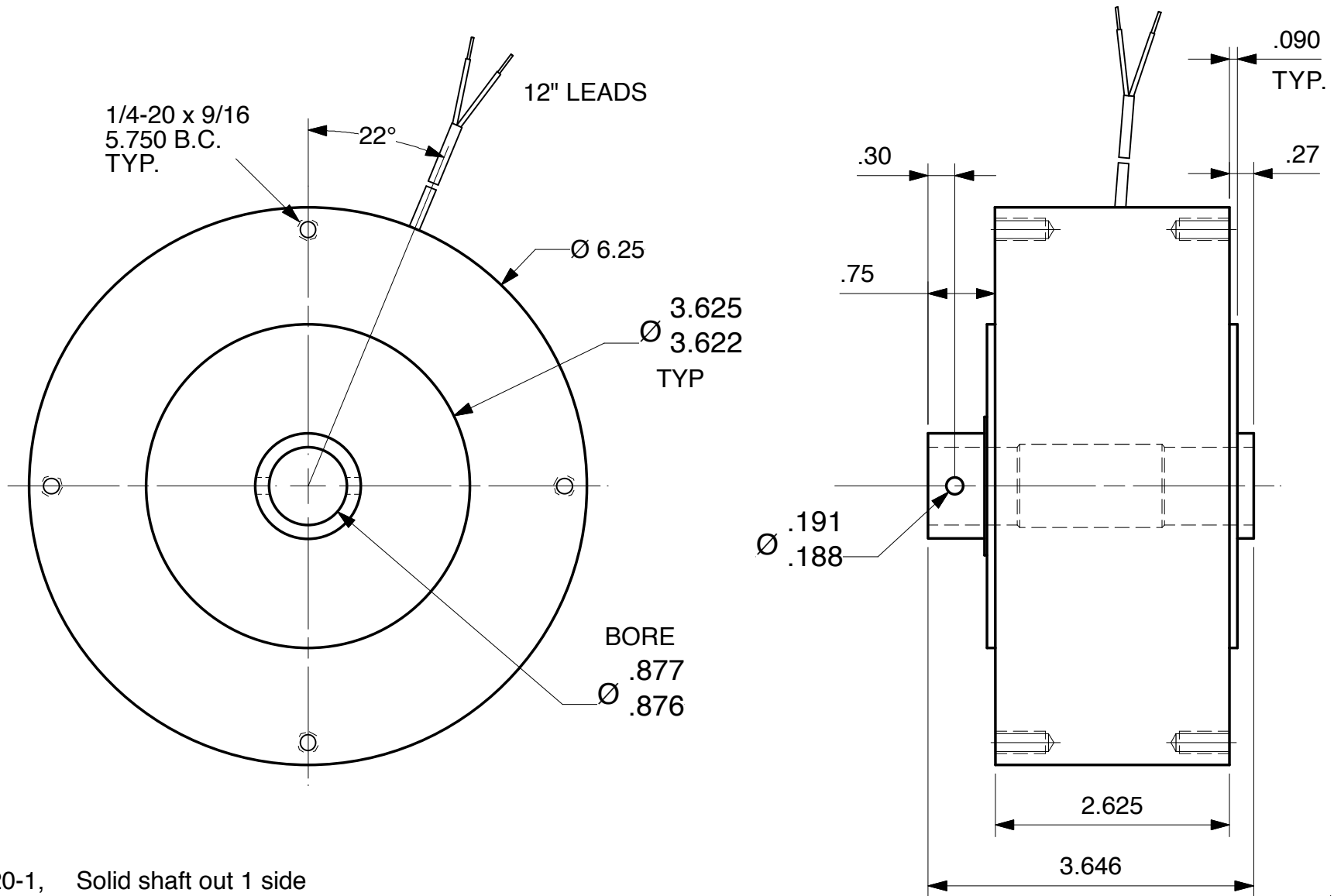


MAGNETIC PARTICLE BRAKE B220 - H



B220-1, Solid shaft out 1 side
 B220-H, Hollow shaft, (as shown)

Units : inches
 Scale : 50%

Drawn 5/10/05
 Changed 1/1/09

Lake Placid, NY USA
 Telephone 518 523-2422
 www.placidindustries.com

