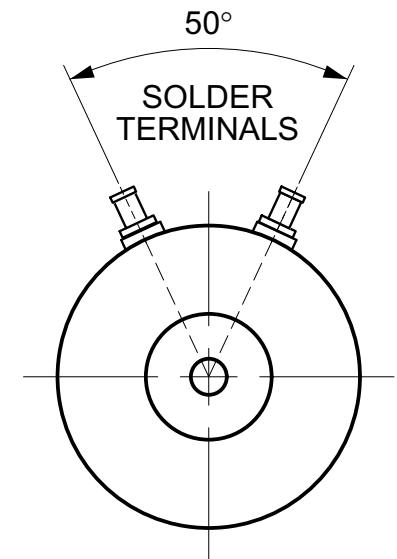
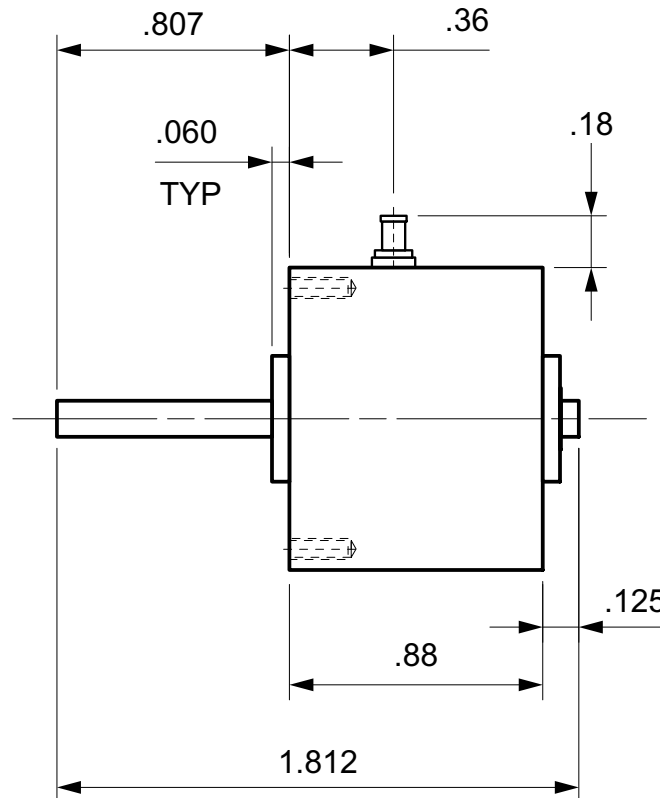
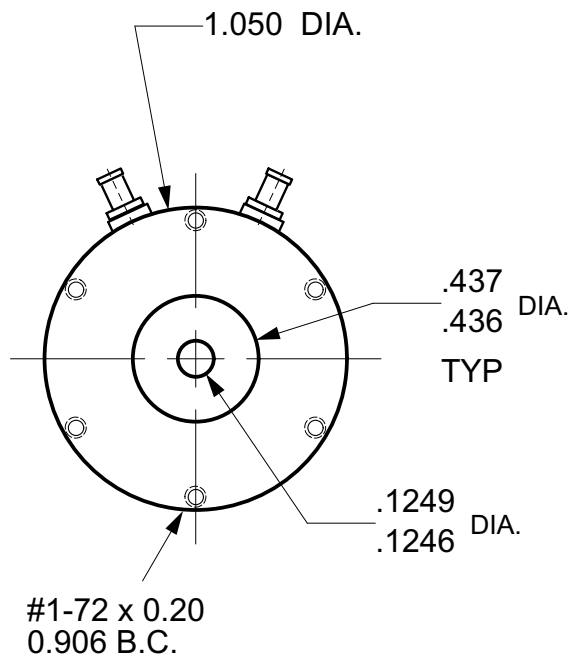


MAGNETIC PARTICLE BRAKE B5Z - 1



B5Z-1, Shaft out 1 side, (as shown)
 B5Z-1R, Shaft out opposite side only
 B5Z-2, Shaft out 2 sides

Units : inches
 Scale : 1.5 x

Drawn 9/27/01
 Changed 9/28/01

Lake Placid, NY USA
 Telephone 518 523-2422
www.placidindustries.com

