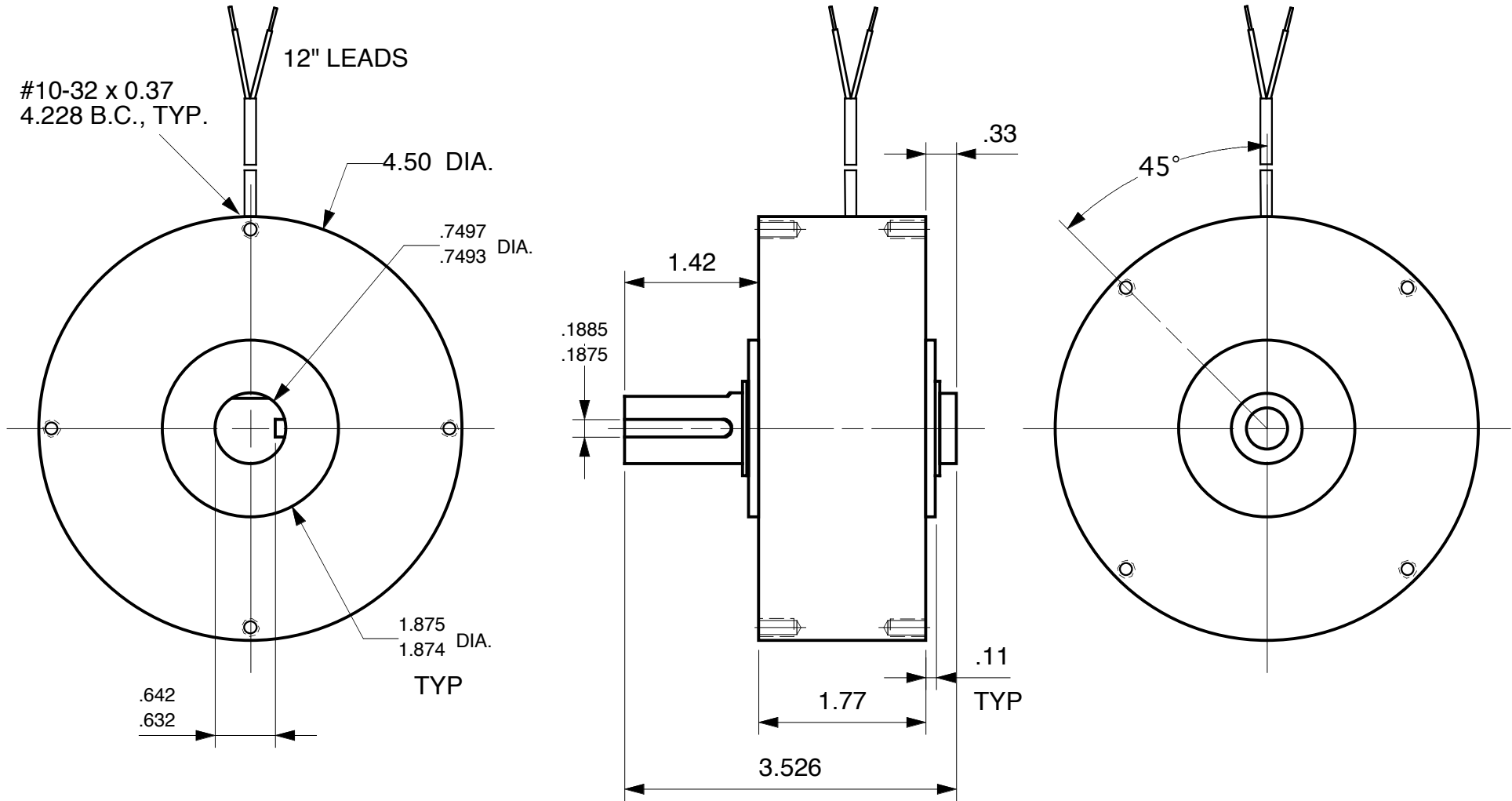


# MAGNETIC PARTICLE BRAKE B60 - 1K



B60-1F, Shaft out 1 side, with 2 flats  
 B60-1K, Shaft out 1 side, with flat & keyway (as shown)  
 B60-H, Hollow shaft

Units : inches  
 Scale : 62%

Drawn 9/27/01  
 Changed 9/28/01

Lake Placid, NY USA  
 Telephone 518 523-2422  
 www.placidindustries.com

