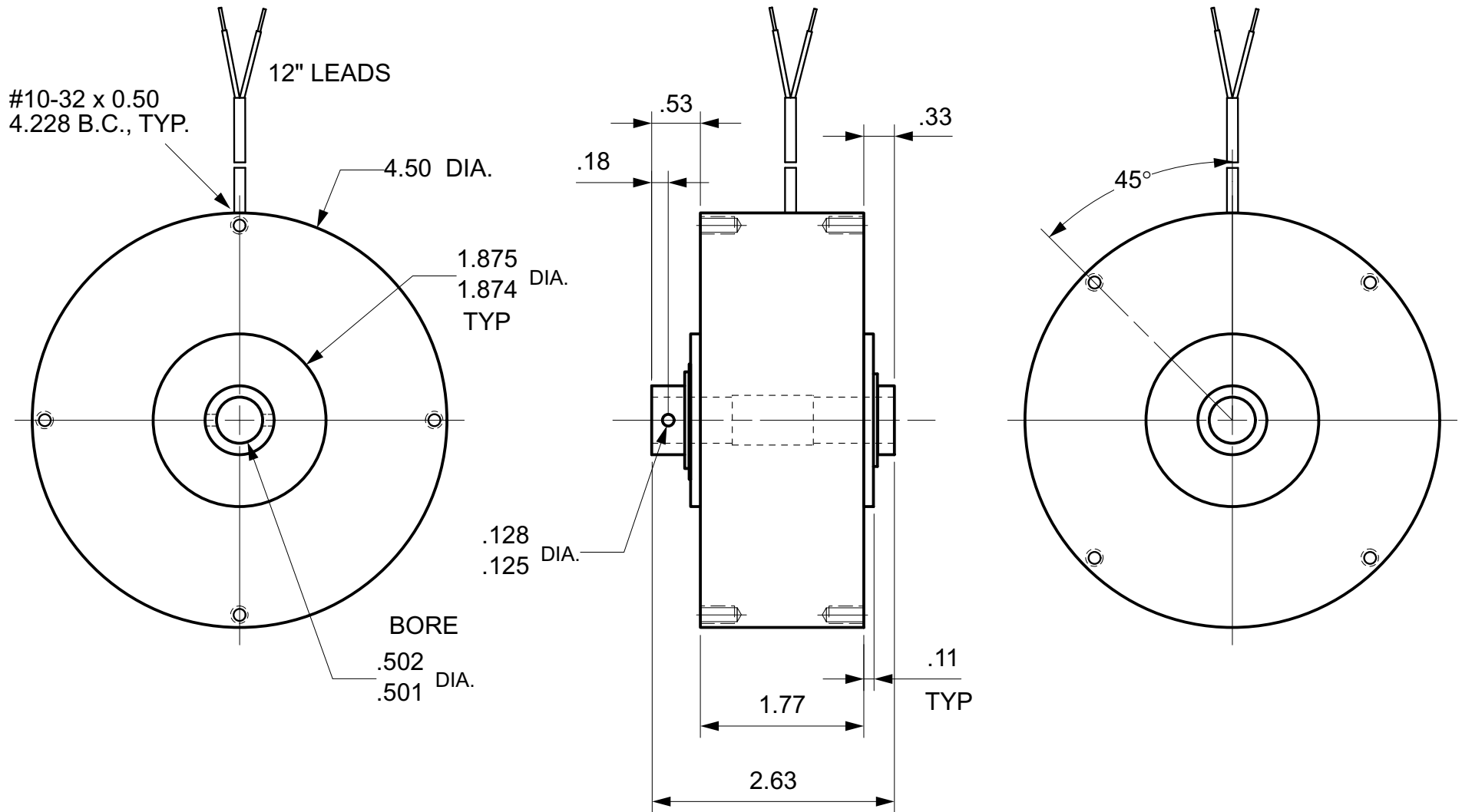


MAGNETIC PARTICLE BRAKE B60 - H



- B60-1F, Shaft out 1 side, with 2 flats
- B60-1K, Shaft out 1 side, with flat & keyway
- B60-H, Hollow shaft (as shown)

Units : inches
Scale : 62%

Drawn 9/27/01
Changed 9/27/01

Lake Placid, NY USA
Telephone 518 523-2422
www.placidindustries.com

