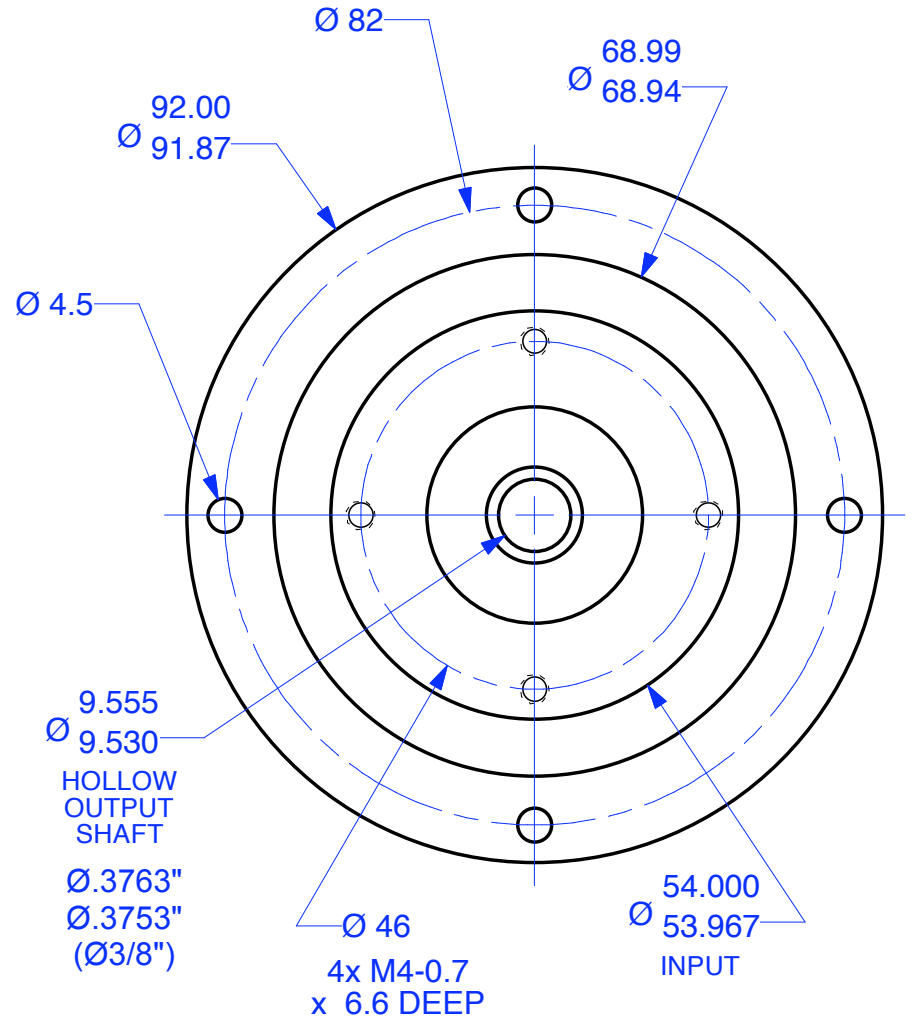
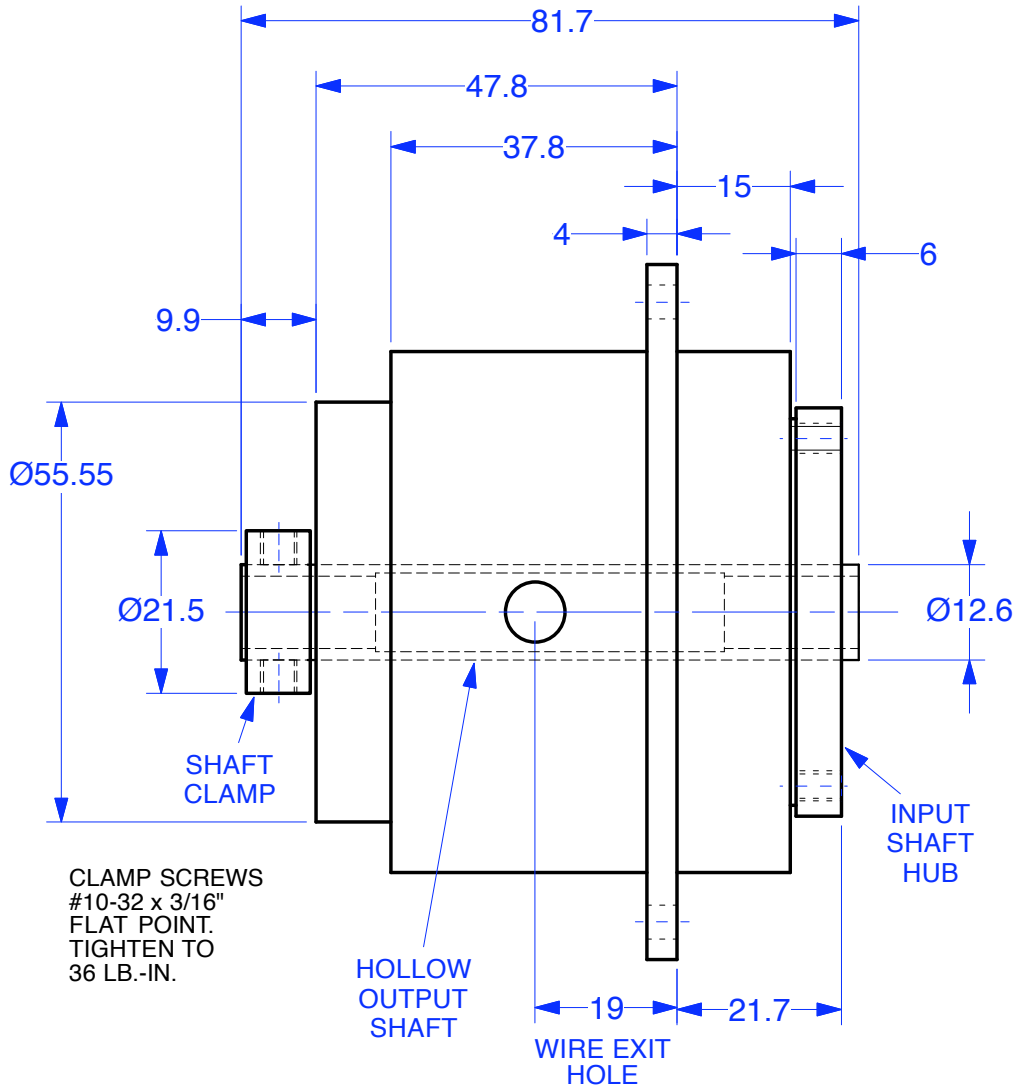


MAGNETIC PARTICLE CLUTCH CC14-HM

HOLLOW SHAFT



CLAMP SCREWS
#10-32 x 3/16"
FLAT POINT.
TIGHTEN TO
36 LB.-IN.

TORQUE RANGE: 0.4 - 14 LB.-INCHES
Customer thru-shaft: $\text{Ø}.3752''$ / $\text{Ø}.3745''$, smooth O.D.

SCALE: Full
UNITS: mm

Drawn 10/27/09
Changed 11/2/09

