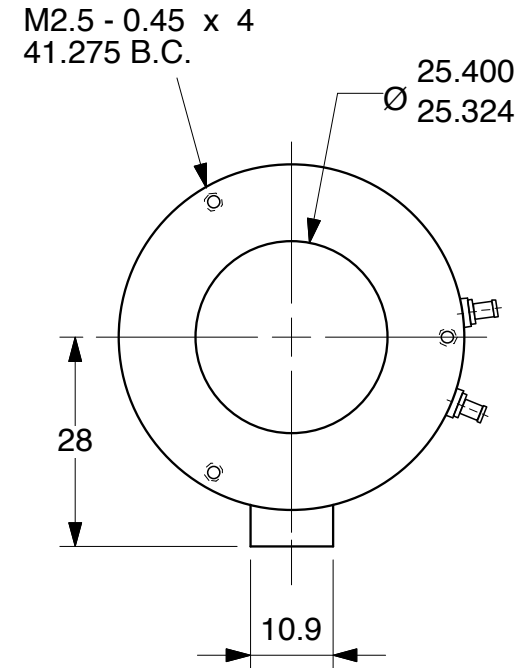
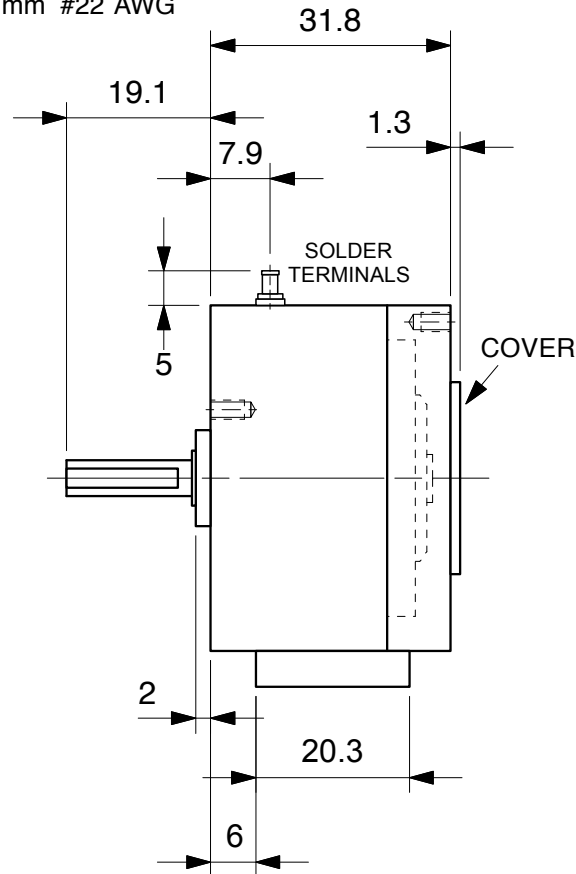
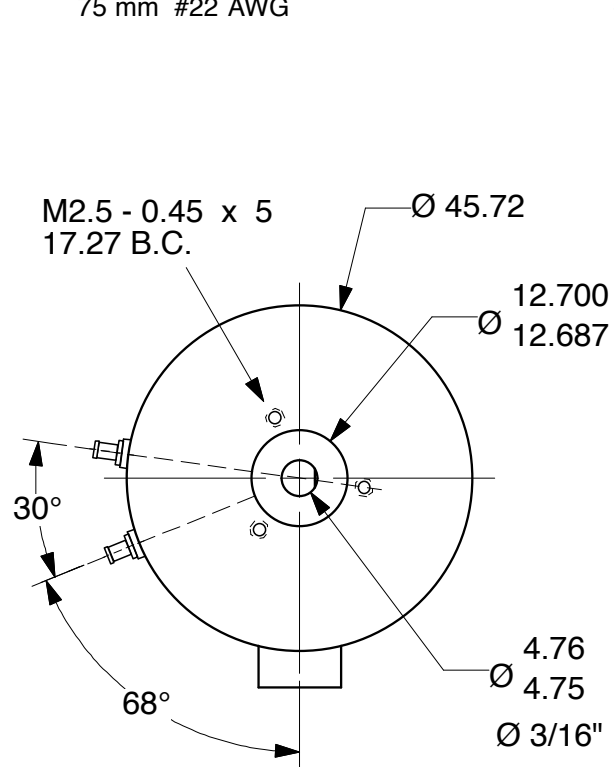
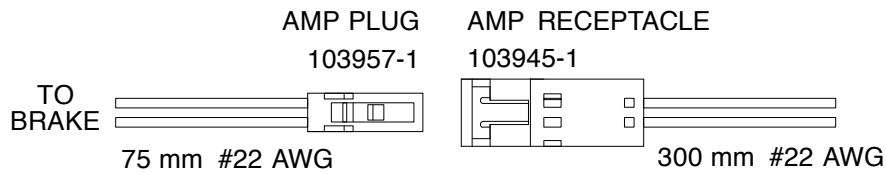


# HYSTERESIS BRAKE H11 - 1M



- H11-1M, Shaft out 1 side, (as shown)
- H11-2M, Shaft out 2 sides
- H11-3M, Shaft out 1 side, on cover side

Units : mm  
Scale : full

Drawn 9/27/01  
Changed 9/30/01

Lake Placid, NY USA  
Telephone 518 523-2422  
www.placidindustries.com

