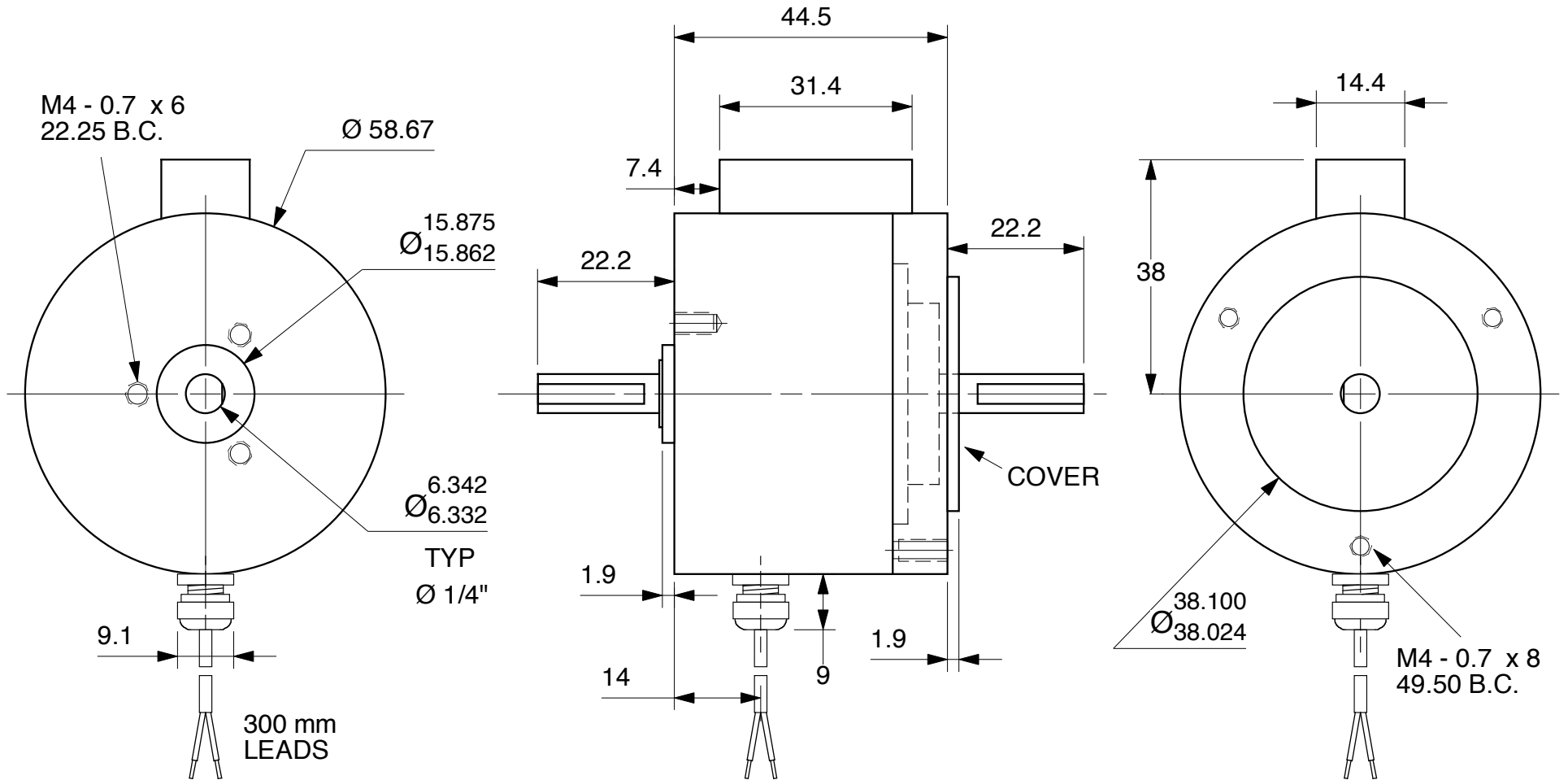


HYSTERESIS BRAKE H35 - 2M



Units : mm
Scale : full

Drawn 9/27/01
Changed 5/8/08

Lake Placid, NY USA
Telephone 518 523-2422
www.placidindustries.com

