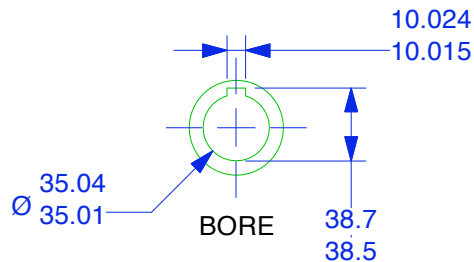
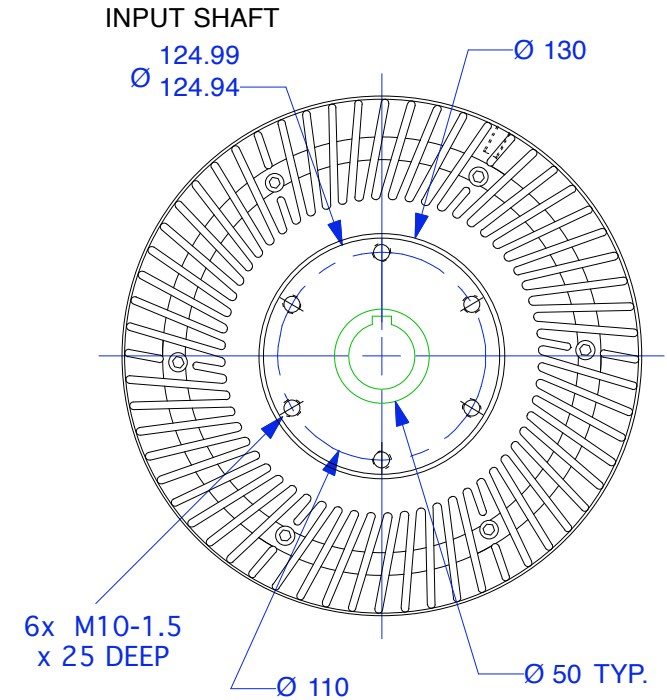
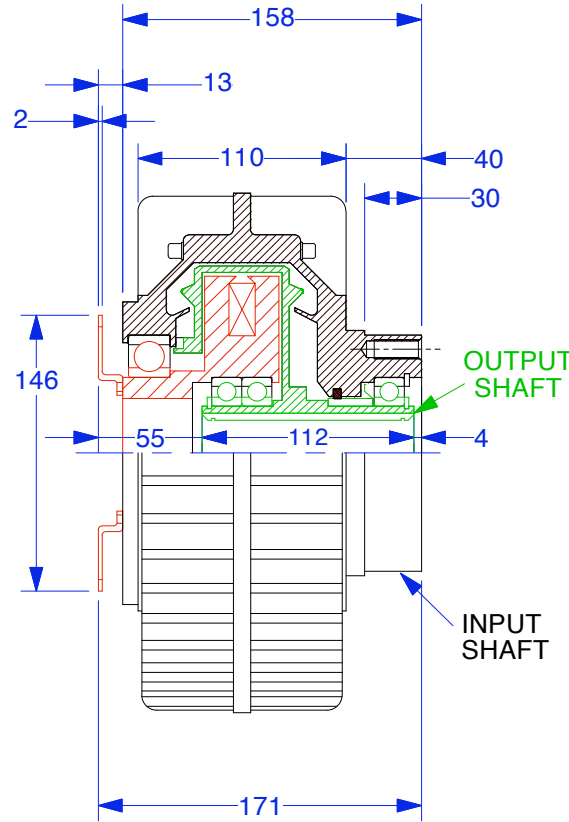
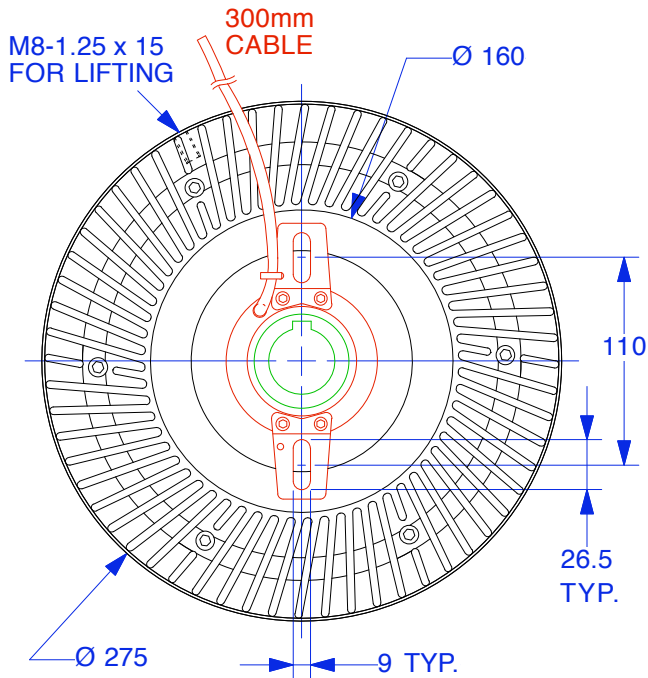


MAGNETIC PARTICLE CLUTCH PHC - 100

THE FINNED BODY ROTATES WITH THE INPUT SHAFT.
 HOLD THE WIRES STATIONARY BY THE 2 SLOTTED TABS.
 THE 35mm BORE IS COUPLED TO THE INPUT SHAFT
 WITH ELECTRICAL EXCITATION.

MAY BE USED AS A BRAKE BY
 HOLDING THE FINNED BODY
 STATIONARY.



TORQUE RANGE = 1.4 - 90 N-m
 RATED VOLTAGE = 24 VDC
 INPUT CURRENT = 2.2 AMPS
 COIL RESISTANCE = 10 OHMS
 MAX. RPM = 1000
 WEIGHT = 21 KG

Units : mm
 Scale : 1/4

Drawn 12/1/07
 Changed 5/7/09

Lake Placid, NY USA
 Telephone 518 523-2422
 www.placidindustries.com

